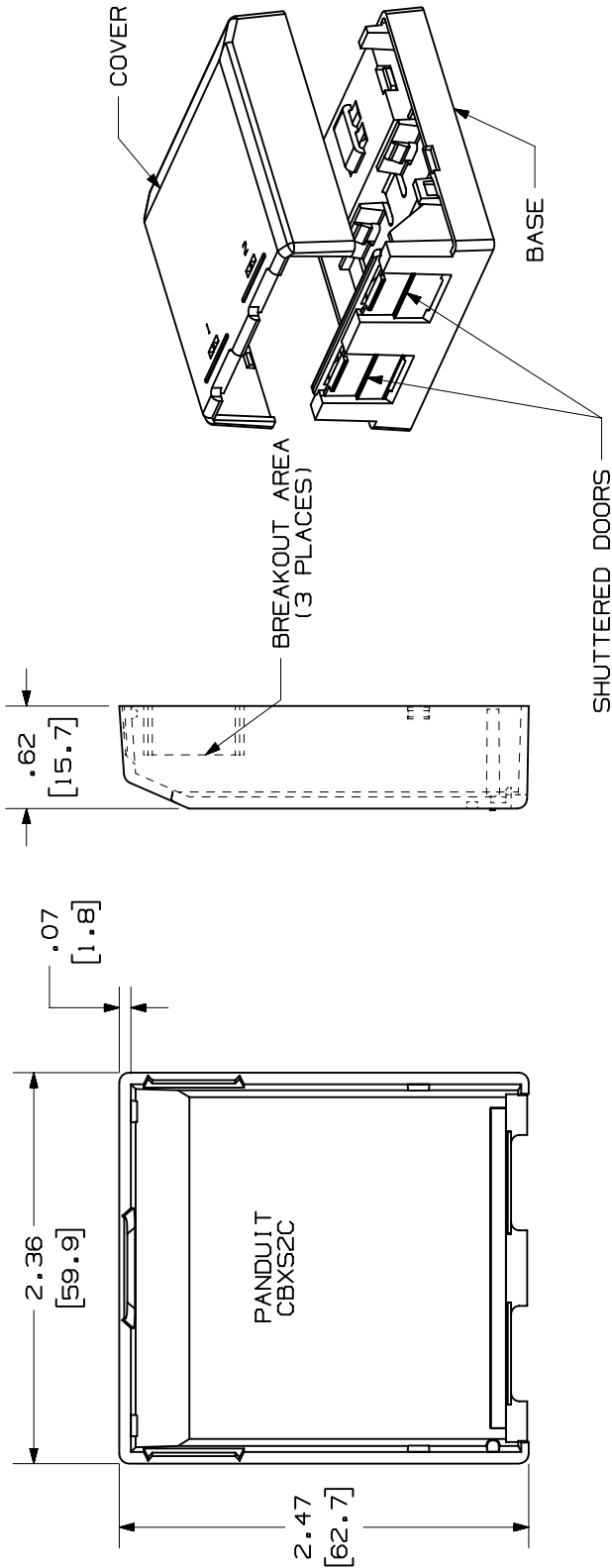


THIS COPY IS PROVIDED ON A RESTRICTED BASIS AND IS NOT TO BE USED IN ANY WAY DETRIMENTAL TO THE INTERESTS OF PANDUIT CORP.



CAD FILENAME/LAYERS

M00800AA_DC_05A.PRT

PANDUIT

CORP. TINLEY PARK, ILLINOIS

MINI-COM 2 POSITION
SHUTTERED BOX (CBXS2C**)
CUSTOMER DRAWING

UNLESS OTHERWISE SPECIFIED,
DIMENSIONAL TOLERANCES ARE:
(.X) ± .03 (.8) ANGLES ±
(.XXX) ± .010 (.3)
IN INCHES, THIRD ANGLE PROJECTION.

DRAWN BY JSP
DATE 12-5-00
CHECKED BY

SCALE

NONE

DRAWING NO.

00800-14
SHEET 2 OF 2

ABS

DWG
A
SIZE

REV	DATE	BY	CHK	ECN	CHK	CUST	SUP
R	12-5-00	JSP		00800-14			

DESCRIPTION

SEE SHEET 1 OF 2

